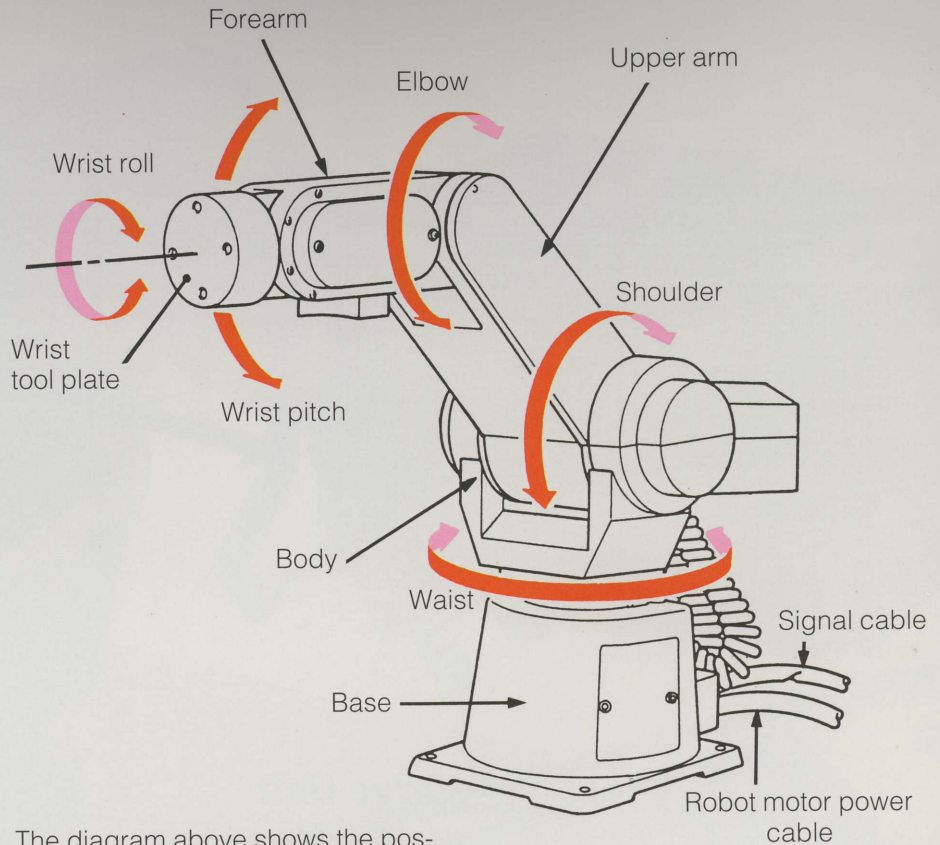


RV-M1 Design and Work Space

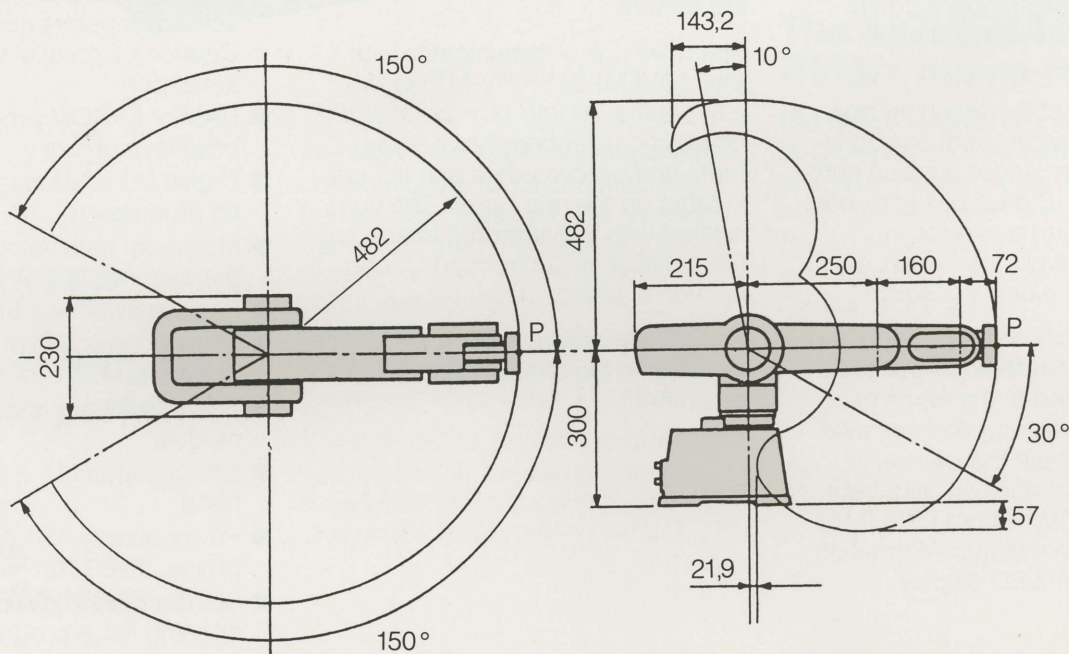
Mechanical design and work space of the MOVEMASTER RV-M1

The MOVEMASTER RV-M1 is an impressively compact system, measuring only 697 mm from the wrist tool plate to the rear of the robot. The shoulder is only 367 mm above the base, and has a maximum width of 230 mm. The robot can be operated in extremely confined spaces, and since it weighs a mere 19 kg it is easy to transport and install. With its sturdy construction, the robot's arm is highly resistant to heavy mechanical stresses during operation, and damage is prevented by an overload monitoring system. All drive elements are well protected against environmental influences, with thick sheet-metal covers over all transmission components.



The diagram above shows the possible movements of each individual axis.

Work Space



Horizontal work space, in relation to the wrist tool plate.

Vertical work space, in relation to the wrist tool plate.